

Truck range



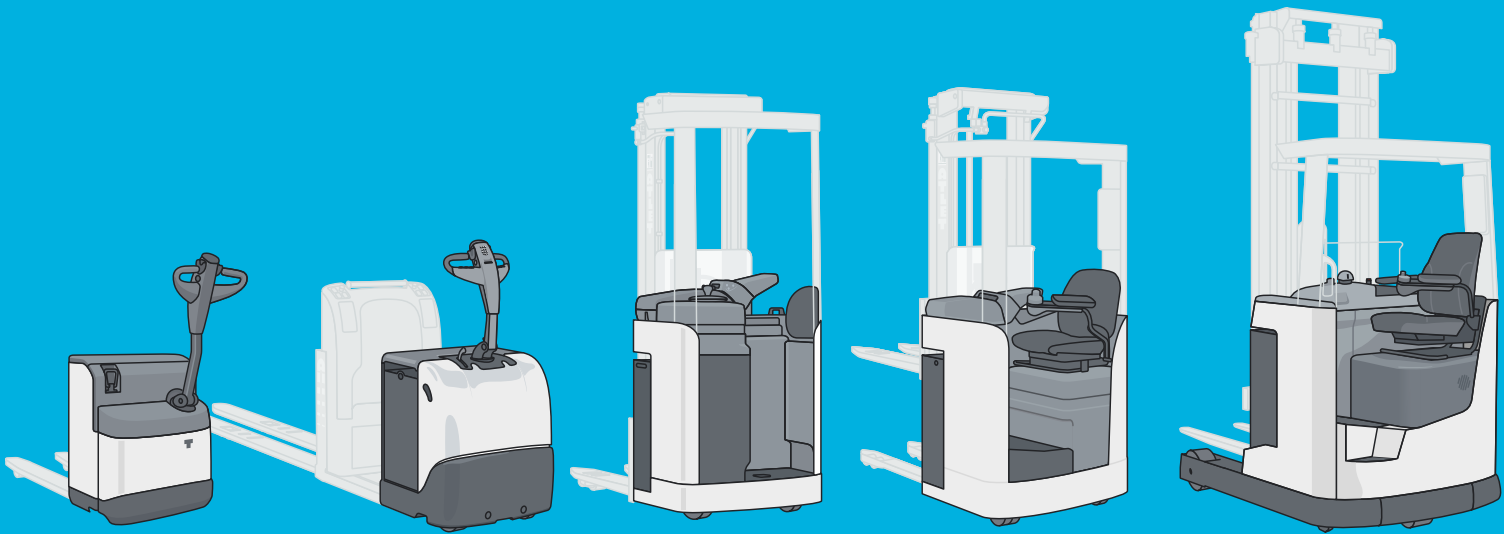
worldwide network

24/7
support



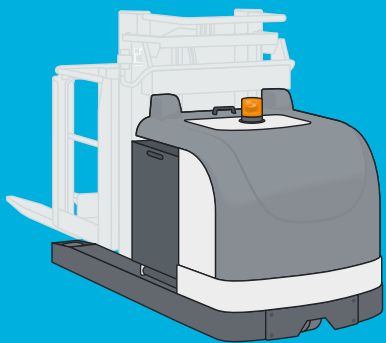
Meet the UniCarriers family

With the DNA for maximum uptime





UniCarriers designs, manufactures and supports the most advanced material handling equipment. By integrating the three distinctive brands of Atlet, Nissan Forklift and TCM, UniCarriers is the perfect mixture of Japanese quality and technology as well as Swedish design and ergonomics. UniCarriers represents more than 65 years of industry experience, an unparalleled global reach and deep understanding of local markets.



Flexibility and reliability are essential to survive and prosper in today's business environment. And nowhere is this more evident than in the material handling industry. That's why we at UniCarriers have pioneered a unique product concept that increases reliability through component flexibility and modularisation. Thanks to this, we can offer thousands of customised UniCarriers truck variants – each one built with exceptional technical and ergonomic standards for your specialised tasks – with interchangeable components. This concept also allows us to minimise the number of parts and components, which is one of the reasons behind UniCarriers' superior after-sales service. By only having to deal with a limited number of components, our mobile service engineers can fix over 95% of all breakdowns – on the first visit. UniCarriers engineering simply translates into less downtime and more uptime. And that can mean a lot for your business.

Pallet trucks

PLL Compact pedestrian pallet truck

Lift capacity 1800/2000 kg



PLE Compact pedestrian pallet truck with forklift

Lift capacity 1800 kg
Lift height 0.73 metres



PLP Stand-on pallet truck

Lift capacity 2000/2500 kg



PMR Stand-on pallet truck

Lift capacity 2000 kg



ERGO ALL/XLL Stand-in and sit-on low lifters

Lift capacity 2000/3000 kg



Stackers

PSL Compact pedestrian stacker

Lift capacity 1250 kg
Lift height up to 2.1 metres

PS Compact pedestrian stacker

Lift capacity 1250 kg
Lift height up to 4.2 metres

PSH

Lift capacity 1600/2000 kg
Lift height up to 5.4 metres

PSP Pedestrian stacker

Lift capacity 1250/1600 kg
Lift height up to 5.4 metres

PSD Compact pedestrian stacker for double-pallet handling

Lift capacity 1250/1600 kg
on the straddles
Lift height up to 2.1 metres



PDP 200
Double stacker
with platform

Lift capacity 2000 kg
Lift height 2.1 metres



ERGO A
Stand-in stacker

Lift capacity 1600/2000 kg
Lift height up to 6.75 metres



ERGO X
Sit-on stacker

Lift capacity 1600/2000 kg
Lift heights up to 6.75 metres



ERGO XML
Sit-on double stacker

Lift capacity 1600 kg
Lift height 1.5 metres



ERGO ATF/XTF
Telereach stacker
stand-in and sit-on
telescopic forks

Lift capacity 1000 kg
Lift height up to 6.75 metres



Order pickers

PP
Low-level order picker

PPL

Lift capacity 2000/2500 kg

PPD

Lift capacity 2000/2500 kg



PPF

Lift capacity 1200 kg
Lift height 0.95 metres

PPC

Lift capacity 1200 kg
Lift height 0.95 metres



PPS

Lift capacity 2000 kg
Lift height 0.9 metres

OP
High-level order picker

OPM

Lift capacity 1000 kg
Lift height up to 2.9 metres

OPH

Lift capacity 1000 kg
Lift height up to 5.3 metres

OPC

Lift capacity 1000 kg
Lift height up to 6.2 metres

OPS

Lift capacity 1000 kg
Lift height up to 8.25 metres



Reach trucks

TERGO® ULS Narrow-chassis reach truck

Lift capacity 1200/1400 kg
Lift height up to 7.25 metres



TERGO® UND Narrow-chassis reach truck

Lift capacity 1400 kg
Lift height up to 8.95 metres



TERGO® UMS/UHD/UHX Reach truck

Lift capacity 1600/2000/2500 kg
Lift height up to 12.1 metres



TERGO® UMS-TF/UHD-TF/UHX-TF Reach truck with telescopic forks

Lift capacity 2000/2500 kg
Lift height up to 12.1 metres

TERGO® UFW Four-way reach truck

Lift capacity 2000/2500 kg
Lift height up to 9.7 metres



Very narrow aisle reach trucks

TERGO® URS Swivel reach truck

Lift capacity 1250/1500 kg
Lift height up to 10.35 metres



Electric counterbalance forklift trucks

The TX3/TX4/QX2/BX electric counterbalance trucks are silent, easy to drive and efficient. They have top-class ergonomics with a fully adjustable driver compartment. An on-board truck computer offers PIN-code-access and service diagnostics. AC drive motor ensures high class performance and low running costs. The counterbalance truck range comes with a full range of mast systems and an efficient battery changeover system.

TX3 3-wheel counterbalance truck

Lift capacity 1250/1500/1600/
1750/1800/2000 kg
Lift height up to 7 metres



TX4 4-wheel counterbalance truck

Lift capacity 1600/1800/2000 kg
Lift height up to 7 metres



QX2 4-wheel counterbalance truck

Lift capacity 2000/2500/3000 kg
Lift height up to 7 metres



BX 4-wheel counterbalance truck

Lift capacity 1500–2500 kg
Battery capacity 48 volts



Diesel/LPG counterbalance forklift trucks

The D/G internal combustion (Diesel/LPG) counterbalance trucks with car-like driveability – featuring advanced safety and efficiency-enhancing technology. The meter panel provides OnBoard Diagnostics for troubleshooting.

DX 4-wheel IC counterbalance truck

Lift capacity 1500/1800/2000/2500/
3000/3200 kg
Lift height up to 7 metres



GX 4-wheel IC counterbalance truck

Lift capacity 3500/4000/4500/
5000 kg
Lift height up to 7 metres



LX 4-wheel counterbalance truck

Lift capacity 1500–3600 kg,
compact cushion, gasoline &
LPG dual fuel/
1600–2500 kg,
compact pneumatic, LPG



LX35

Lift capacity 3500 kg, Diesel & LPG

ZX 4-wheel counterbalance truck

Lift capacity 6000/7000/8000/
10000 kg



It's all about
the price.
**But what
price?**

Reduce your Total Cost of Operation with UniCarriers

We agree. Price is everything. Or to be more specific: your Total Cost of Operation (TCO). That's why we're so focused on cutting costs and improving your material handling. The truck and its performance play an important role, but this is even more about how we can support you in optimising your warehouse operations to give you the best value for your money. Which – in the long run – is what creates a winner.



ClimatePartner^o
climate neutral

Print | ID: 10767-1410-1003

UNICARRIERS CORPORATION
U-TR.EN/UCE-2015-03 Printed in Germany

UniCarriers Corporation reserves the right to make any changes without notice concerning colours, equipment or specifications detailed in this brochure, or to discontinue individual models. The colours of vehicles delivered may differ slightly from those in this brochure. The specifications vary for different countries depending on local market conditions. Please consult your local dealer to ensure that the vehicle delivered accords with your expectations. All values are determined based on the standard condition and may vary due to motor and system tolerances, condition of the truck and operational conditions. Some equipment shown on photos is optional.